

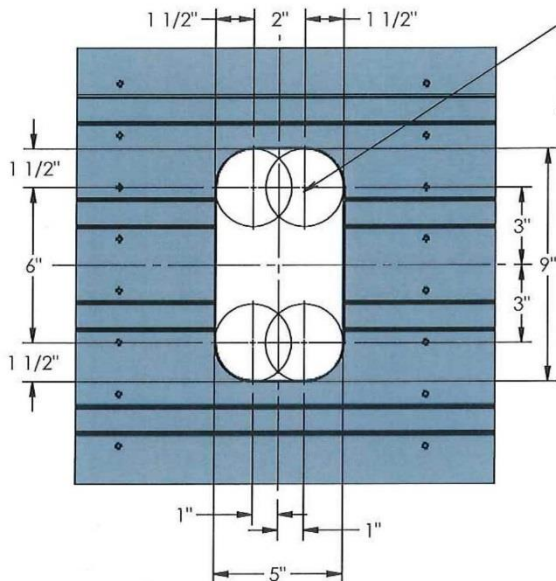
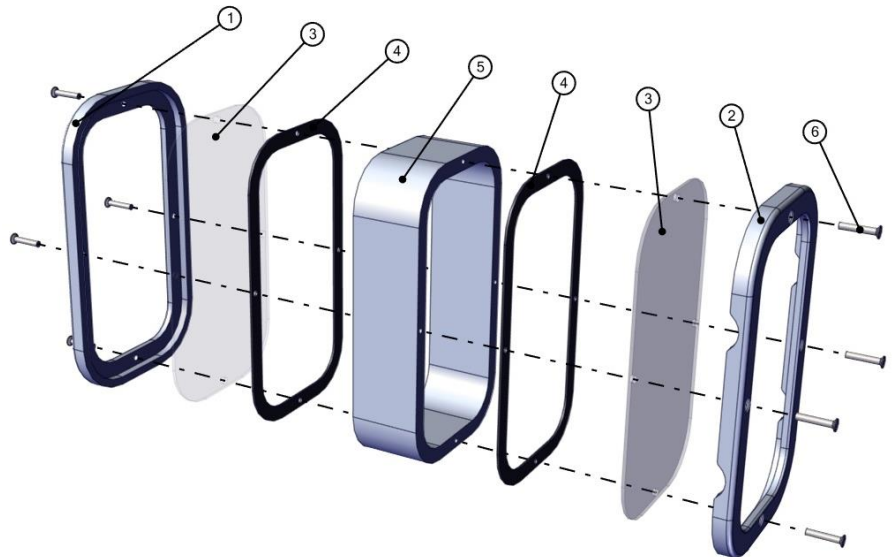
UNIVERSAL 4" X 8"
SIGHT GLASS WINDOW
INSTALLATION INSTRUCTIONS

Please use the steps below for installing our Universal 4"X8" Sight glass window on your Timpte or Wilson grain trailer.

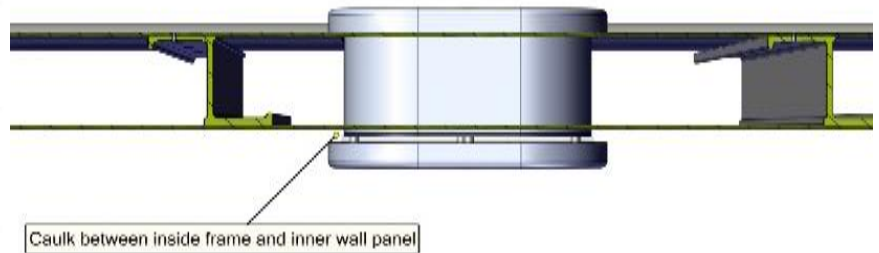
Caution: Wear proper PPE when using the necessary tools for this installation.

Bill of Materials				Tools Needed
Item	Part #	Qty	Description	3" Hole Saw
1	005-59166	1	Inner Frame	Tin Snips
2	005-59165	1	Outer Frame	Phillips Screwdriver
3	034-59168	2	Glass	
4	034-59179	2	Gasket	
5	005-59167	1	Base Frame	
6	032-59169	8	Screw #10-24x1" FLHD	
7	038-01717	.1	Caulk - Polyurethane	

1. Use the provided template on the last page as a guide.
2. Choose a preferred location on your trailer and place template on the 3rd and 4th corrugation (ribs) up from the bottom rail and centered between the panel rivets as shown.
3. Mark off the center points of the four 3" hole locations. Remove the template and drill out with a 3" hole saw.
4. Use tin snips to remove the straight edges between the holes.
5. Repeat the steps on the opposite side of the wall.
6. Install the sight glass components in the order shown. Place caulk between the inner frame (1) and the inside wall panel for added protection.



DRILL 4 HOLES USING A 3" DIA HOLE SAW, THEN REMOVE CENTER BY CUTTING THE FLAT SIDES.



CENTER BETWEEN RIVETS ON WALL PANEL

