



UNIVERSAL 3.38" X 7.50"
HORIZONTAL SIGHT GLASS WINDOW
KIT NUMBER 577-300933
INSTALLATION INSTRUCTIONS

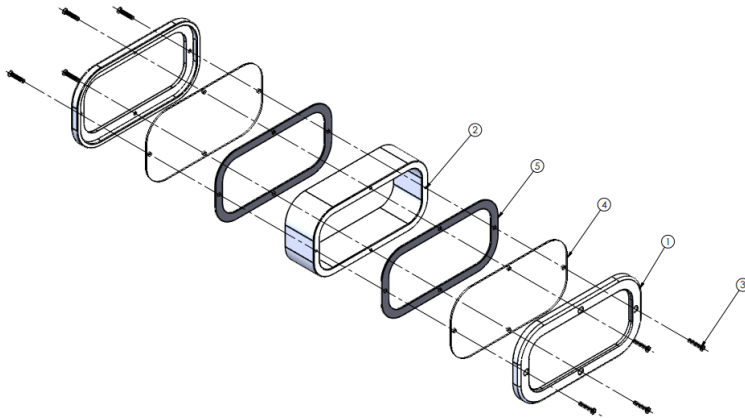
Please use the steps below for installing our Universal 3-3/8" X 7-1/2" Sight glass window on your Timpte or Wilson grain trailer.

Caution: Wear proper PPE when using the necessary tools for this installation.

Bill of Materials				Tools Needed
Item	Part #	Qty	Description	2-7/8" Hole Saw
1	005-300928	2	Frame	Tin Snips
2	005-300929	1	Sight Glass	Phillips Screwdriver
3	032-59169	8	Screw, #10-24 X 1" FLHD	
4	034-300930	2	Sight Glass, 3.38" X 7.5" Lexan	
5	034-300931	2	Gasket, Sight Glass	
6	038-01717	.1	Caulk – Instant Gasket	

1.

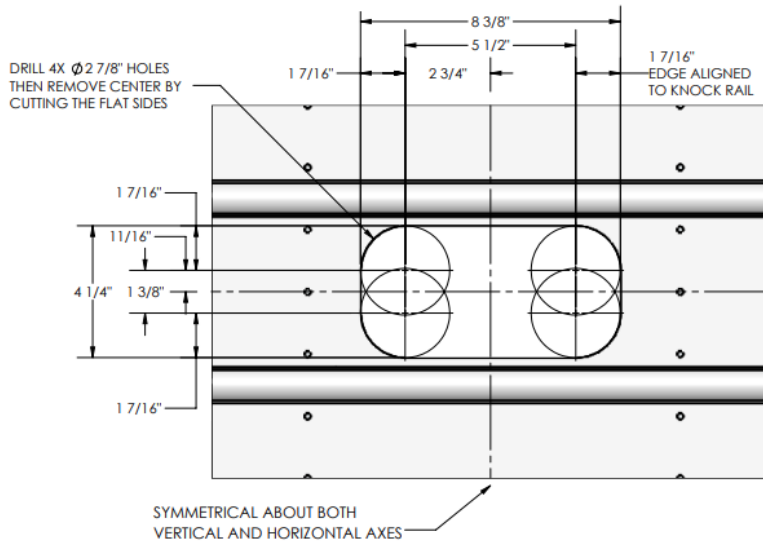
Use the provided template on the last page as a



guide.

2. Choose a preferred location on your trailer between the panel rivets as shown.
3. Mark off the center points of the four 2-7/8" hole locations. Remove the template and drill out with a 2-7/8" hole saw.
4. Use tin snips to remove the straight edges between the holes.
5. Repeat the steps on the opposite side of the wall.

6. Install the sight glass components in the order shown. Place caulk between the inner frame (1) and the inside wall panel for added protection.



038-01717 CAULK PERIMETER OF INSIDE FRAME TO INNER WALL PANEL

