

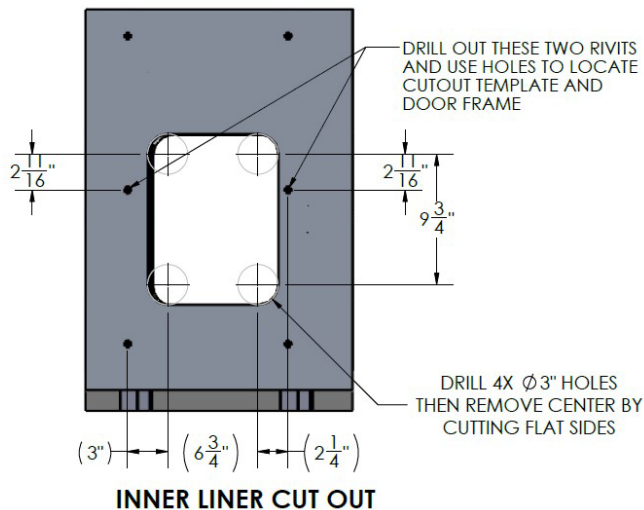
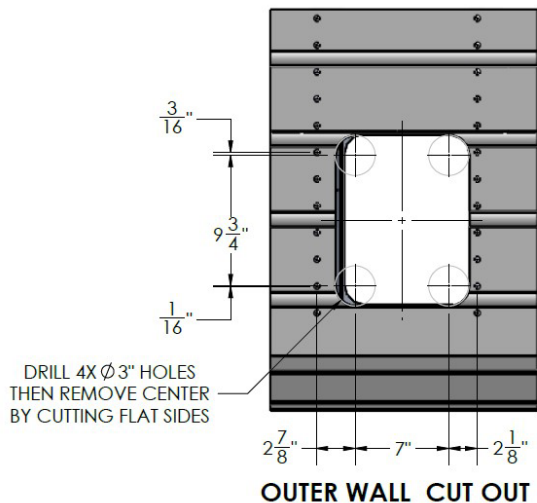
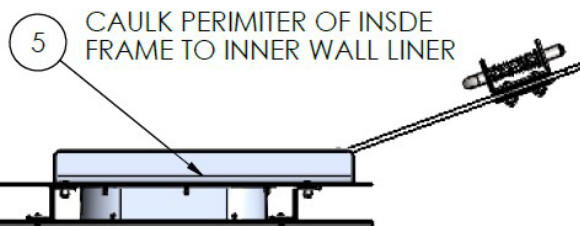
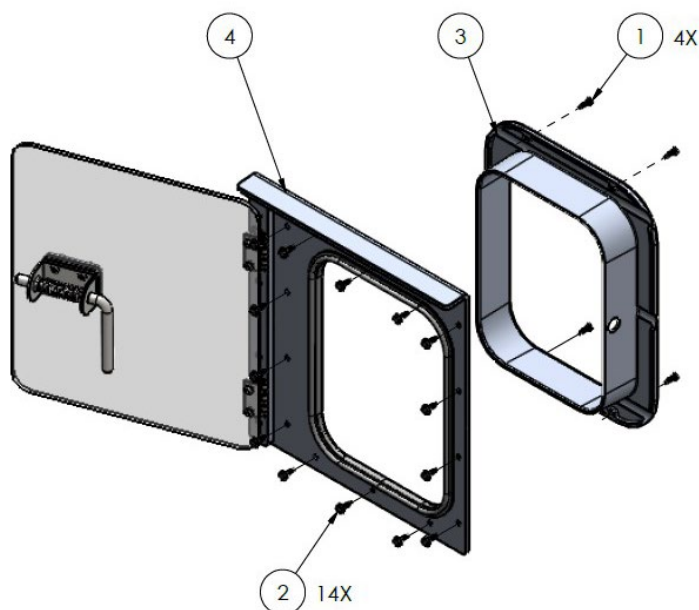
**SIGHT GLASS DOOR
FOR 6" CORRUGATED PANELS
INSTALLATION INSTRUCTIONS**

Please use the steps below for installing the sight glass door for 6" corrugated panels on your Timple grain trailer.

Caution: Wear proper PPE when using the necessary tools for this installation.

Bill of Materials				Tools Needed
Item	Part #	Qty	Description	3" Hole Saw
1	032-39859	4	Screw #10x3/4" Phillips Drill Tap	Tin Snips
2	103131	14	Screw 1/4-14x3/4" HXHD Drill Tap	Phillips Screwdriver
3	005-64236	1	Face Plate	3/8" Nut Driver
4	577-64228	1	Sight Glass Door Assembly	
7	100095	0.1	Caulk – Instant Gasket	

1. Use the provided outer wall cutout template at the back as a guide.
2. Choose a preferred location on your trailer and place template on the first three corrugations (ribs) up from the bottom rail and locate between the panel rivets as shown below.
3. Mark off the center points of the four 3" hole locations. Remove the template and drill out with a 3" hole saw.
4. Use tin snips to remove the straight edges between the holes.
5. On the opposite side of the wall and on both z-posts on either side of where the door will be installed drill out the 2nd pop rivet up from the bottom of the liner.
6. Use the provided inner liner cutout template at the back as a guide and match the holes from the rivets you just drilled out as a placement guide.
7. Repeat step 3.
8. Install the sight glass components in the order shown. Use drilled rivet holes for initial mounting of the door frame. Place caulk between the frame and the inside wall panel for added protection.



4X \varnothing 3" HOLE SAW

OUTER WALL CUT OUT TEMPLATE

$9\frac{3}{4}$ "

7"

